

Enerlites®



PIR OCCUPANCY 0-10V DIMMING HIGH BAY SENSOR, FIXED MOUNT

MODEL NO: MPC-50HD

DESCRIPTION

The ENERLITES MPC-50HD is a commercial grade line voltage high bay ceiling sensor that operates dimmable lights using PIR technology. The MPC-50HD is specially designed with 4 operation modes for use in areas with 0-10VDC dimmable lighting fixtures. This unit features interchangeable 360° fresnel lenses that provide up to 2800 sq. ft. of coverage area. This ceiling sensor is compatible with LED, fluorescent, or high bay lights and is ideal for use in warehouses, large storages and other high ceiling and fixture applications.

FEATURES

- 360° field of view
- 42" wire lead, 18" 0-10V dimmable wire lead
- Dimmable 0-10V bi-level to 50 percent compliant with CA Title 24
- Four occupancy logic options give users the ability to customize control to meet application needs
- Always On mode available
- Time Delay is adjustable from 15 seconds to 30 minutes
- Adjustable PIR sensitivity setting
- Adjustable ambient light level to keep load off
- LED indicator light flashes when sensor detects motion to verify detection is active
- Convertible from high bay to ceiling mount
- Zero-crossing for long relay life
- Sensor coverage tested to NEMA WD7-2000

SPECIFICATIONS

Voltage	120VAC / 277 VAC, 50/60 Hz
Resistive	10A
Tungsten	800W
Electronic Ballast/LED	800VA @ 120VAC / 1385VA @ 277VAC
Loading Rate	2mA - 50mA
Motor	1/4 HP
L1 Coverage	2800 sq. ft.
L2 Coverage	1200 sq. ft.
Warranty	2 Years

TESTING & CODE COMPLIANCE



APPLICATIONS

- Warehouses
- Large Storages
- High Ceilings

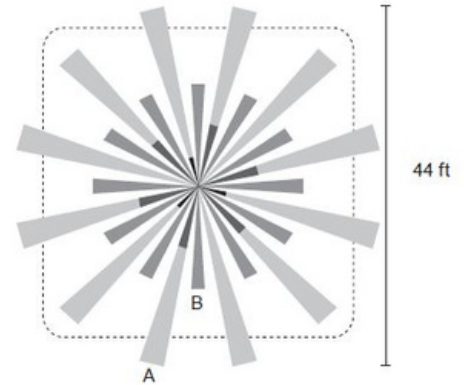
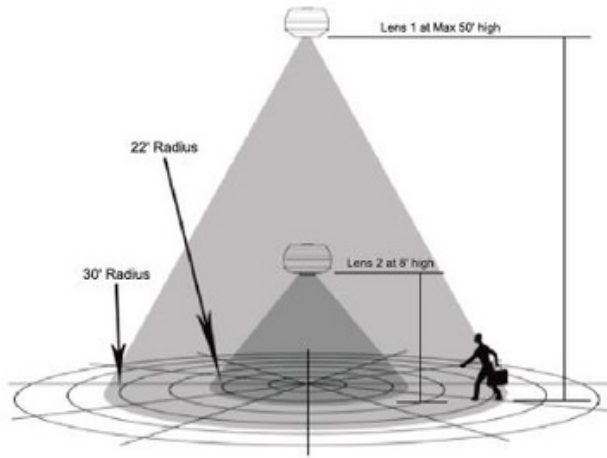
SPECIFICATION SUBMITTAL

Job Name

Job Number

Notes

COVERAGE PATTERN



A: When walking across beam, detection will occur at approximately 30 feet.
 B: When walking into beam, detection will occur at approximately 18 feet.

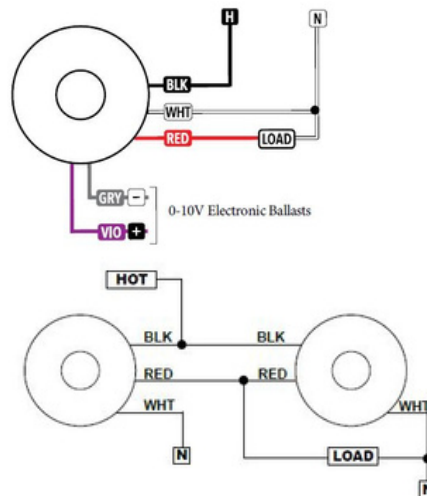
The MPC-50HD offers a comprehensive 360° coverage pattern, showcasing the range when mounted at a height of 15-50 feet during walking motion. In spaces with reduced activity levels or hindrances such as obstacles and barriers, the coverage area may diminish. The size of coverage in PIR ONLY trigger mode fluctuates based on the mounting height—refer to the pattern above for specific details.

WIRING

- BLACK - Line Input
- WHITE - Neutral
- RED - Load Output
- VIOLET - Connect to 0-10 VDC control wire from dimmable ballast
- GRAY - Connect to 0-10 VDC common wire from dimmable ballast

SENSORS IN PARALLEL

Sensors may be wired in parallel; however, the maximum load ratings stay the same.



SPECIFICATION SUBMITTAL

Job Name Job Number
 Notes