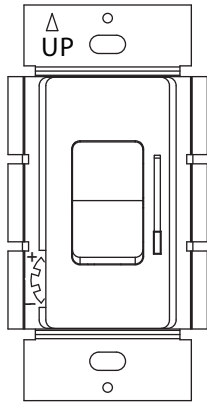


# INSTALLATION INSTRUCTIONS



**51300L**  
0-10V LED Dimmer  
Single Pole/3-Way

## SPECIFICATIONS

Voltage.....	120-277 VAC 60Hz
Load rating.....	.6A~120VAC, 3A~277VAC
0-10 V control link.....	.30mA
Operating Temperature.....	32°F-104°F

## DESCRIPTION/ FEATURES

The 51300L is a 0-10V dimmer that can be used on a single-pole or 3-way circuit. It is powered by 120-277 VAC and delivers a control signal of 0-10 VDC to the connected LED drivers or Fluorescent ballasts. At 0 Volts the connected driver or ballast will translate the signal to 0% light output. At 10 Volts the signal will translate to 100% light output. Other feature includes:

- Small decorative On/Off switch for control of the 120-277VAC output
- Fine tuning: adjustable high-end and low-end trim-pot for maximum control over dimming range
- Constant memory returns light to previous level after a power failure
- Simple slide control lever to fade lighting up and down smoothly

## WARNING

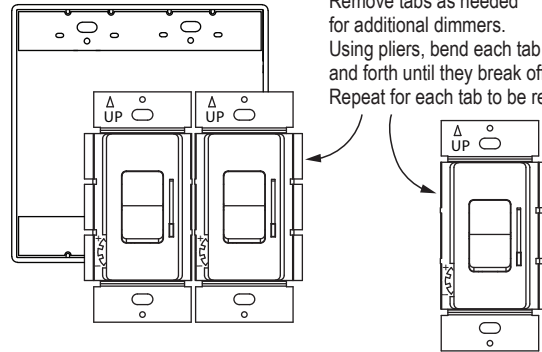
**Turn the POWER OFF at the circuit breaker before installing**

Read and understand these instructions before installing. This device is intended for installation in accordance with the National Electric Code and local regulations. It is recommended that a qualified electrician performs this installation. Make sure to turn off the circuit breaker or fuse(s).

Use copper wire only

"CAUTION - To Reduce The Risk of Overheating and Possible Damage to Other Equipment, Do Not Install to Control a Receptacle, a Motor-Operated Appliance or a Fluorescent Light Fixture or a Transformer Supplied Appliance"

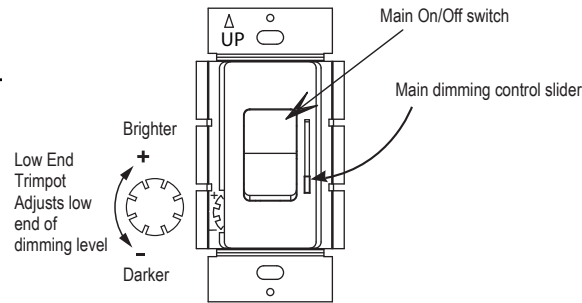
## MULTI-GANG INSTALLATION



Remove tabs as needed for additional dimmers. Using pliers, bend each tab back and forth until they break off. Repeat for each tab to be removed.

Removal of tabs WILL NOT effect maximum load capacity.

## DIMMER ADJUSTMENTS

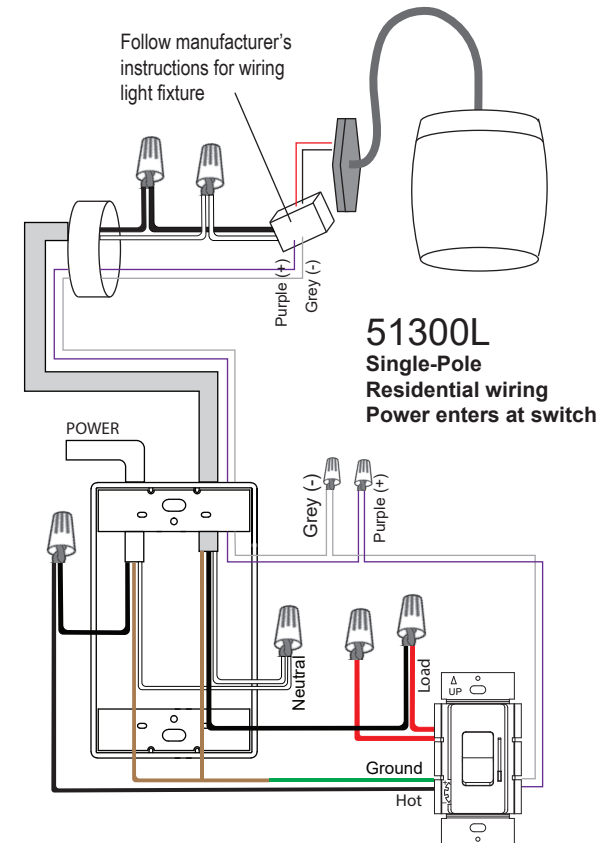


High End Trimpot Adjusts high end of dimming level

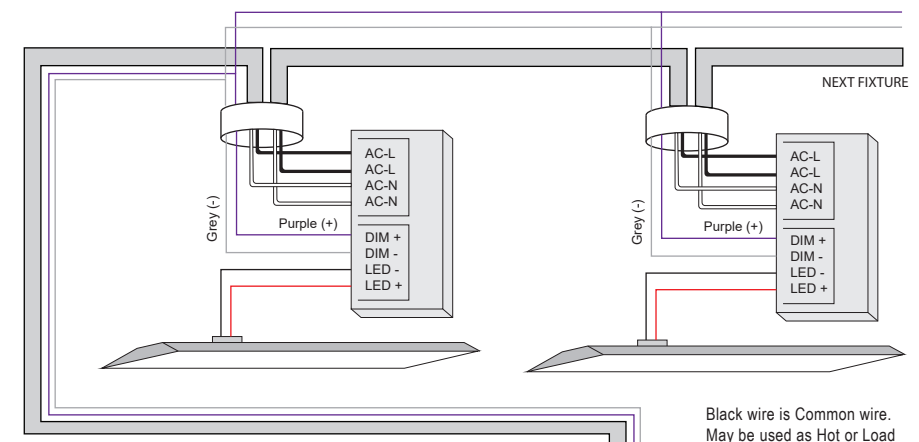
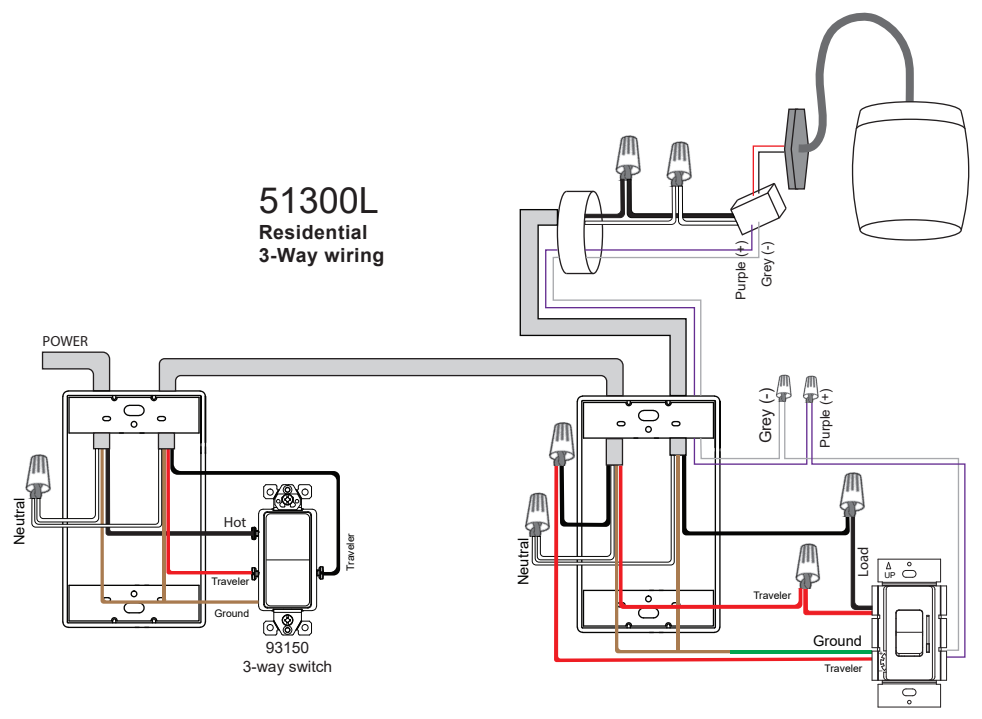


Device Rating	Single-Gang Rating	Double-Gang Rating	Triple-Gang Rating
120V AC, 50-60Hz, 6A 277V AC, 50-60Hz, 3A CFL/LED/Electronic self-ballasted	120V AC, 50-60Hz, 6A 277V AC, 50-60Hz, 3A CFL/LED/Electronic self-ballasted	120V AC, 50-60Hz, 6A 277V AC, 50-60Hz, 3A CFL/LED/Electronic self-ballasted	120V AC, 50-60Hz, 6A 277V AC, 50-60Hz, 3A CFL/LED/Electronic self-ballasted

## WIRING

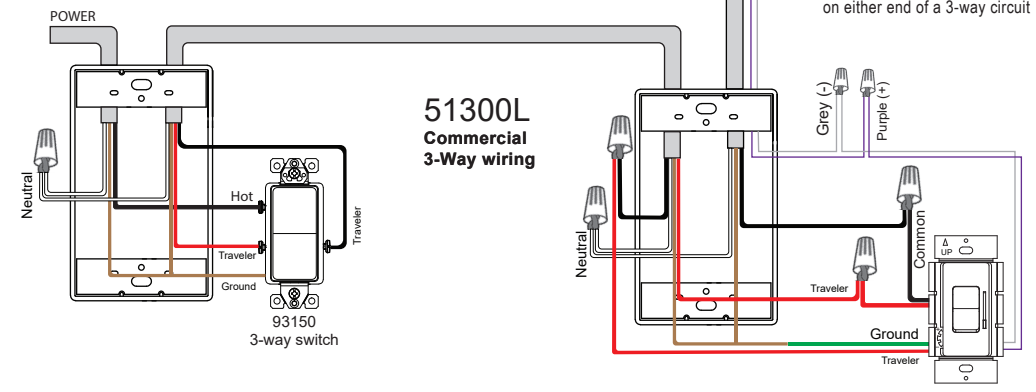


## 51300L Residential 3-Way wiring

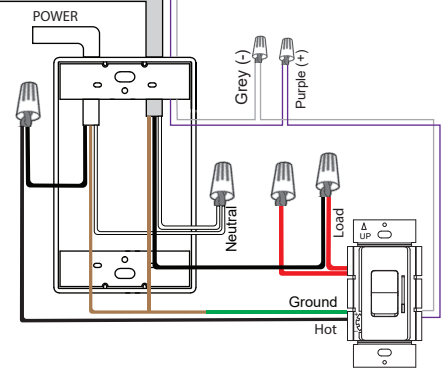


Black wire is Common wire. May be used as Hot or Load on either end of a 3-way circuit

## 51300L Commercial 3-Way wiring



## 51300L Commercial Installation Power enters at switch Single-Pole



## WARRANTY INFORMATION

This device is warranted to be free of material and workmanship defects for 2 years from the date of purchase. Original receipt or proof of purchase from an authorized retailer must be presented upon warranty claim. ALL claims must be verified and approved by Enerlites, Inc. Warranties from other Enerlites products may vary. This warranty is nontransferable and does not cover normal wear and tear or any malfunction, failure, or defect resulting from misuse, abuse, neglect, alteration, modification, or improper installation. To the fullest extent permitted by the applicable state law, Enerlites shall not be liable to the purchaser or end user customer of Enerlites products for direct, indirect, incidental, or consequential damages even if Enerlites has been advised of the possibility of such damages. Enerlites' total liability under this or any other warranty, express or implied, is limited to repair, replacement or refund. Repair, replacement or refund are the sole and exclusive remedies for breach of warranty or any other legal theory.

