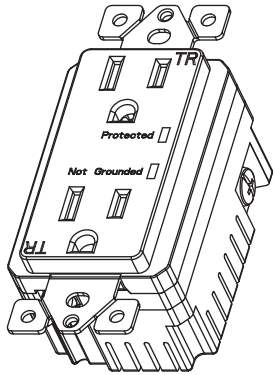
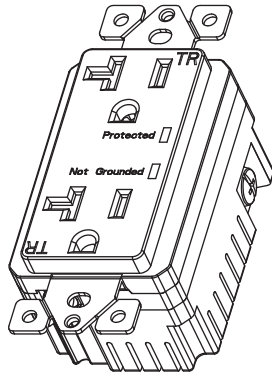


61501-TRSS / 62001-TRSS

15A / 20A Decorator Tamper-Resistant Receptacle with Surge Protector & Grounding Indicator



61501-TRSS



62001-TRSS

SPECIFICATIONS

Receptacle Rating	15A / 20A, 125VAC (1 PH)
AMB	0-25°C
Joules Rating	900
MCOV	127VAC
Nominal Discharge Current	3 kA (Type 3 SPD)
Voltage Protection Ratings	500V(L-N), 500V (L-G), 500V (N-G)
Wire Terminals	#14-#12 AWG(Solid)
Strip Length	0.5inch (back wire holes), 1inch (screw terminal)

DESCRIPTION

Enerlites Surge Protector with two outlets protects your PC, personal computer, laptop, printer, scanner, router, phone, fax, modem, television, lamp or any other home/office electronics from dangerous power surges, spikes & line noise. Ideal for residential, commercial and institutional applications. They are the preferred choice of electricians and contractors.

FEATURES

- 15A / 20A, 125 VAC surge protected outlets one phase
- Tamper Resistant Shutters are 2011 NEC compliant
- LED indicators for real time monitoring of Grounding and Surge Protection
- Two outlets: multi-line surge protection (L-N, L-G, and N-G)
- CUL Listed
- Easily replace standard receptacles

WARNING

Turn the POWER OFF at the circuit breaker before installing the receptacle.

Read and understand these instructions before installing. This device is intended for installation in accordance with the National Electric Code and local regulations. It is recommended that a qualified electrician performs this installation. Make sure to turn off the circuit breaker or fuse(s) and make sure power is off before wiring the device.

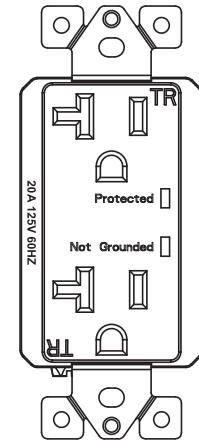
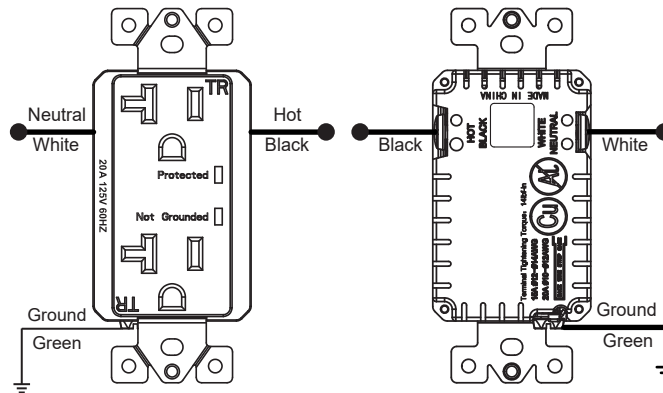
Use copper wire only.

This surge receptacle **CANNOT** be used if the outlet you are replacing has the top and bottom outlets controlled by separate circuit breakers.

WIRING DIRECTIONS

There are two ways to wire the receptacle:

1. Loop wire around terminal screws and firmly tighten terminal screw.
 2. Insert wire(s) through terminal holes in the back, then tighten terminal screws. Use this method when attaching 2 wires to same terminal.
- Connect Black HOT wire to the HOT terminal (brass screw).
 - Connect White NEUTRAL wire to the NEUTRAL terminal (silver screw).
 - Connect GREEN or BARE wire to the GROUND terminal (green screw).



INDICATOR LIGHTS

The "PROTECTED" LED (GREEN) should be ON when power is applied to the device (plugged into an ON outlet).

- If this light goes out at any time and does not come back on when the power is turned back on, it means that this Surge Protector has taken a surge to protect your equipment and should be replaced.

The Not Grounded light (RED) should not be ON. If this light turns ON, you may have a ground-wiring problem in your home and you should contact an electrician to properly ground the outlet.

LOCATIONS

Use of the 61501-TRSS / 62001-TRSS Surge Protector Receptacle is recommended anywhere electronics are used. It protects your equipment from harmful surges that can cause costly damages. These recommended locations include:

- Offices
- Entertainment rooms
- Living rooms
- Classrooms

WARRANTY INFORMATION

This device is warranted to be free of material and workmanship defects for 2 years from the date of purchase. Original receipt or proof of purchase from an authorized retailer must be presented upon warranty claim. ALL claims must be verified and approved by Enerlites, Inc. Warranties from other Enerlites products may vary. This warranty is nontransferable and does not cover normal wear and tear or any malfunction, failure, or defect resulting from misuse, abuse, neglect, alteration, modification, or improper installation. To the fullest extent permitted by the applicable state law, Enerlites shall not be liable to the purchaser or end user customer of Enerlites products for direct, indirect, incidental, or consequential damages even if Enerlites has been advised of the possibility of such damages. Enerlites' total liability under this or any other warranty, express or implied, is limited to repair, replacement or refund. Repair, replacement or refund are the sole and exclusive remedies for breach of warranty or any other legal theory.