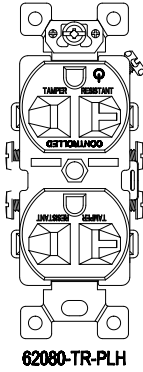


CONTROLLED RECEPTACLES



62080-TR-PLH

SPECIFICATIONS

Rating.....	20A, 125 VAC 60Hz
NEMA Configuration.....	NEMA 5-20R, 2-Pole, 3-Wire
Operating Temperature.....	167°F maximum cont.

DESCRIPTION/ FEATURES

The controlled receptacle marking printed on the face of the receptacle is both NEMA-approved and compliant with the National Electrical Code®, CA Title 24, and ASHRAE Energy Efficiency Standard 90.1.

- Half Controlled Receptacles
- 8 back slots for wiring
- Automatic self grounding clip
- Tamper Resistant Shutters
- Permanent controlled receptacle markings

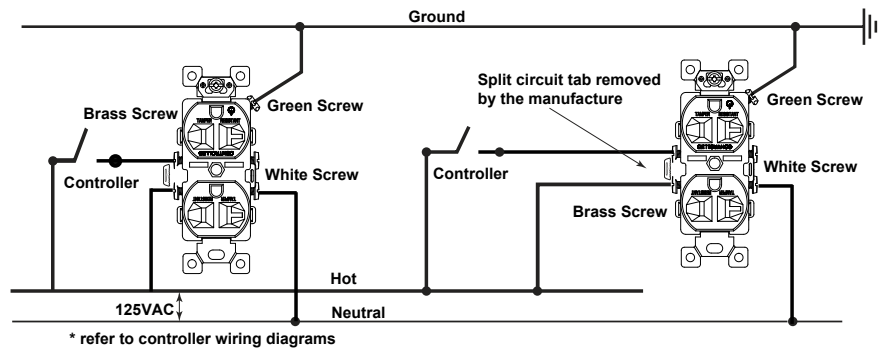
WARNING

Turn the POWER OFF at the circuit breaker before installing the receptacle.

Read and understand these instructions before installing. This device is intended for installation in accordance with the National Electric Code and local regulations. It is recommended that a qualified electrician performs this installation. Make sure to turn off the circuit breaker or fuse(s).

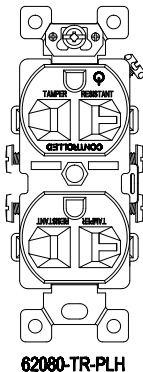
Use copper wire only.

WIRING DIAGRAMS



INSTALLATION INSTRUCTIONS

CONTROLLED RECEPTACLES



62080-TR-PLH

SPECIFICATIONS

Rating.....	20A, 125 VAC 60Hz
NEMA Configuration.....	NEMA 5-20R, 2-Pole, 3-Wire
Operating Temperature.....	167°F maximum cont.

DESCRIPTION/ FEATURES

The controlled receptacle marking printed on the face of the receptacle is both NEMA-approved and compliant with the National Electrical Code®, CA Title 24, and ASHRAE Energy Efficiency Standard 90.1.

- Half Controlled Receptacles
- 8 back slots for wiring
- Automatic self grounding clip
- Tamper Resistant Shutters
- Permanent controlled receptacle markings

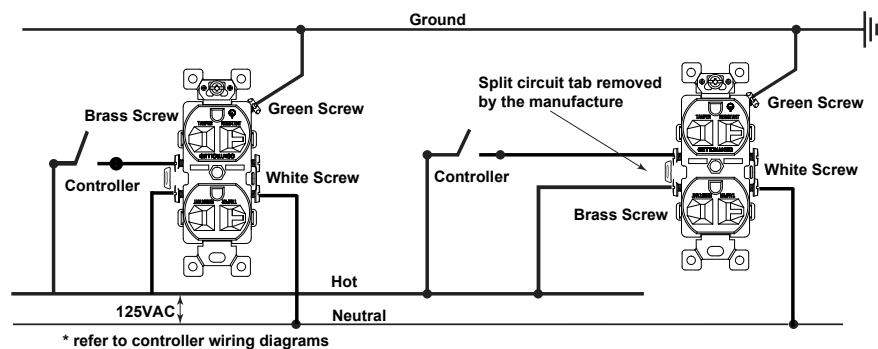
WARNING

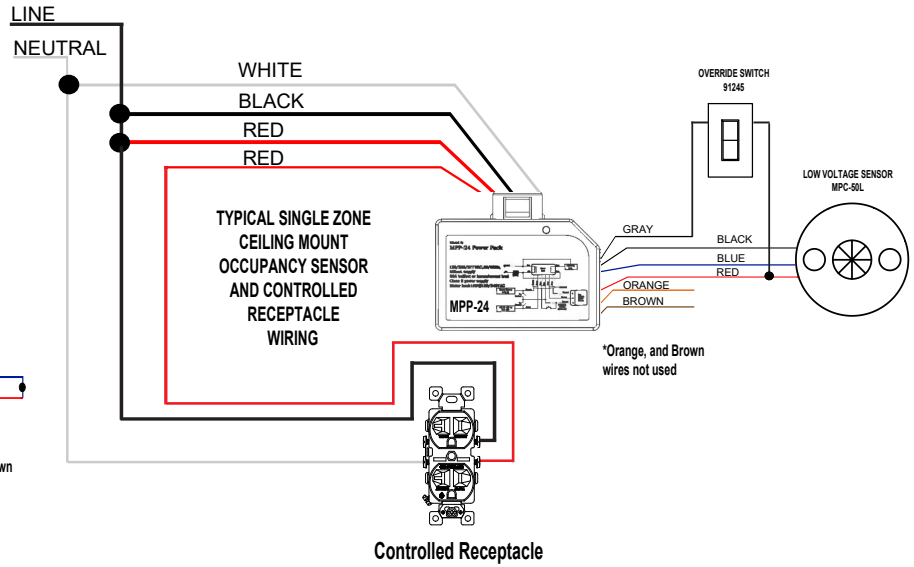
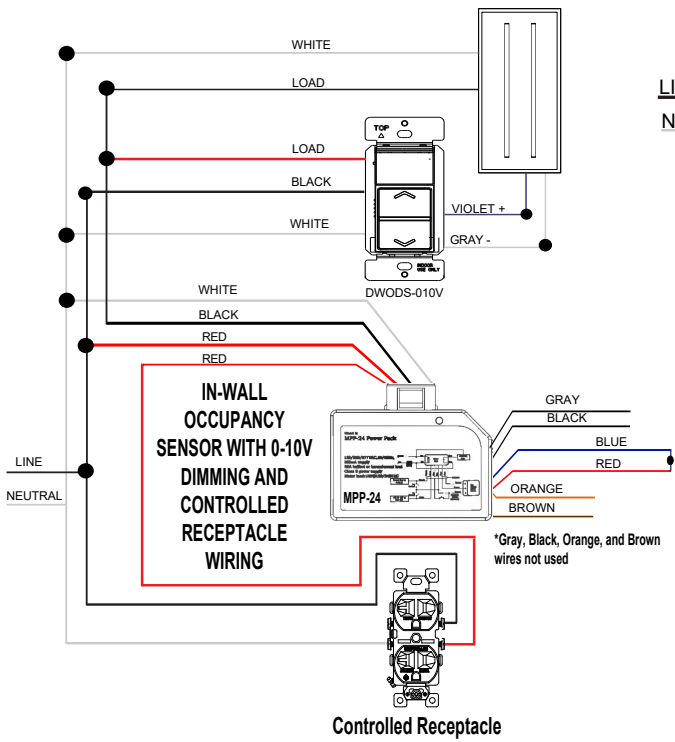
Turn the POWER OFF at the circuit breaker before installing the receptacle.

Read and understand these instructions before installing. This device is intended for installation in accordance with the National Electric Code and local regulations. It is recommended that a qualified electrician performs this installation. Make sure to turn off the circuit breaker or fuse(s).

Use copper wire only.

WIRING DIAGRAMS



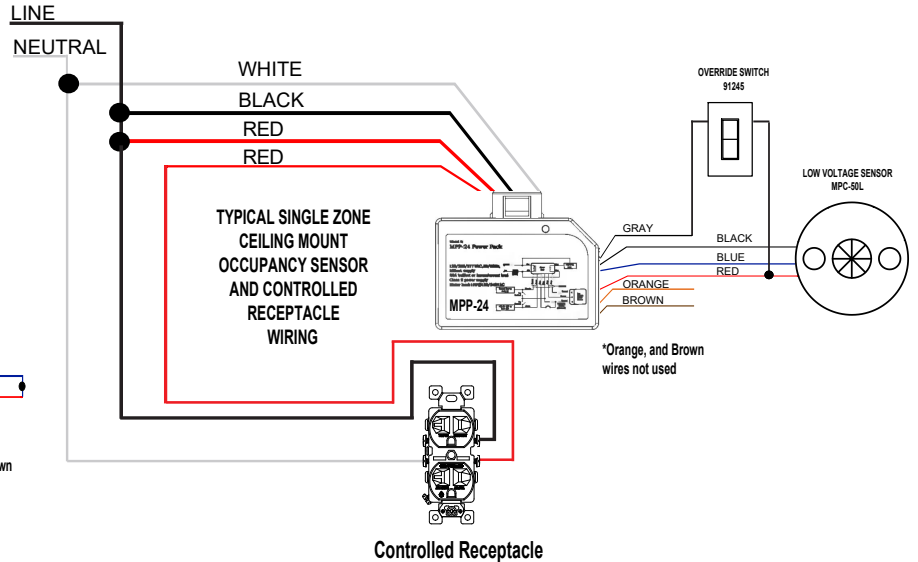
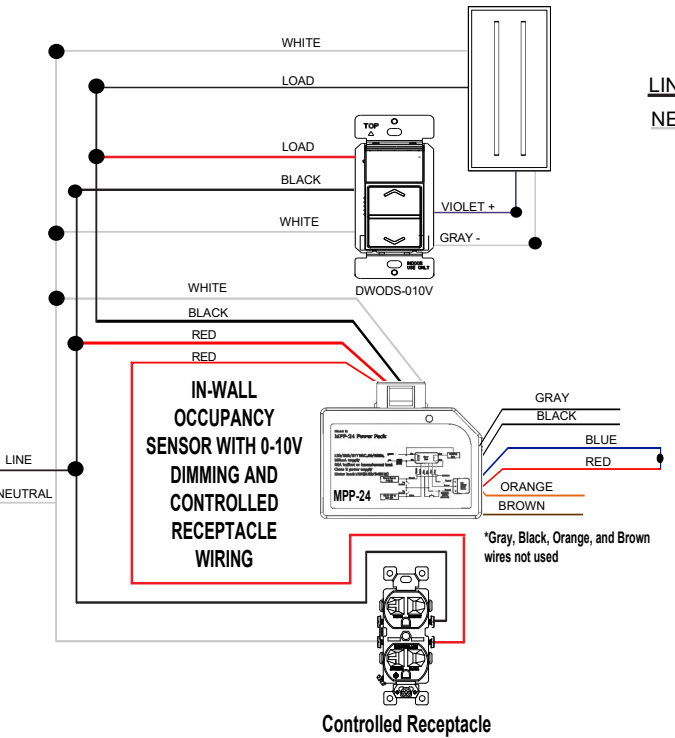


WARRANTY INFORMATION

This device is warranted to be free of material and workmanship defects for 2 years from the date of purchase. Original receipt or proof of purchase from an authorized retailer must be presented upon warranty claim. ALL claims must be verified and approved by Enerlites, Inc. Warranties from other Enerlites products may vary. This warranty is nontransferable and does not cover normal wear and tear or any malfunction, failure, or defect resulting from misuse, abuse, neglect, alteration, modification, or improper installation. To the fullest extent permitted by the applicable state law, Enerlites shall not be liable to the purchaser or end user customer of Enerlites products for direct, indirect, incidental, or consequential damages even if Enerlites has been advised of the possibility of such damages. Enerlites' total liability under this or any other warranty, express or implied, is limited to repair, replacement or refund. Repair, replacement or refund are the sole and exclusive remedies for breach of warranty or any other legal theory.



© 2018 Enerlites Inc. CA, U.S.A.
 WWW.ENERLITES.COM
 0207180126-01



WARRANTY INFORMATION

This device is warranted to be free of material and workmanship defects for 2 years from the date of purchase. Original receipt or proof of purchase from an authorized retailer must be presented upon warranty claim. ALL claims must be verified and approved by Enerlites, Inc. Warranties from other Enerlites products may vary. This warranty is nontransferable and does not cover normal wear and tear or any malfunction, failure, or defect resulting from misuse, abuse, neglect, alteration, modification, or improper installation. To the fullest extent permitted by the applicable state law, Enerlites shall not be liable to the purchaser or end user customer of Enerlites products for direct, indirect, incidental, or consequential damages even if Enerlites has been advised of the possibility of such damages. Enerlites' total liability under this or any other warranty, express or implied, is limited to repair, replacement or refund. Repair, replacement or refund are the sole and exclusive remedies for breach of warranty or any other legal theory.



© 2018 Enerlites Inc. CA, U.S.A.
 WWW.ENERLITES.COM
 0207180126-01