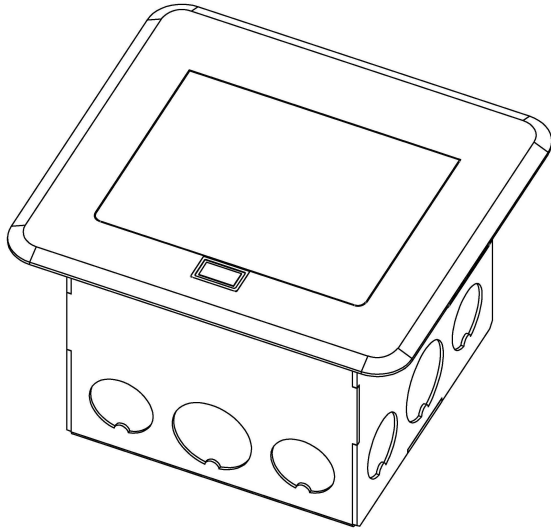


## 961248-C-GFCI and 961248-S-GFCI

One Gang Soft Pop-up Floor Box Assembly with 20A GFCI Tamper Resistant Duplex Receptacle



### SPECIFICATIONS

Cover Material	Brass(C) or Nickel-Plated Brass(S)
961248.....	.....20A 125VAC
Receptacle Rating.....	.....Galvanized Steel
Box Material.....	.....1/2" and 3/4"
Knockout size.....	.....up to 1" depth
Adjustable Height.....	

### DESCRIPTION/ FEATURES

Included is a One gang soft pop-up floor box with 20 amp GFCI tamper resistant duplex receptacle

- Compact and stylish design with adjustable height function metal box with the choice of Brass(C) or Nickel-Plated Brass(S).
- Corrosion resistant hardware ensure long life span and reliable performance.
- Easy access to power when you need it. Snap the cover closed when not in use.
- Used for carpet and wood floors. Also great for counter-top applications.

### WARNING

#### Turn the POWER OFF at the circuit breaker before installing the Floor Box

Read and understand these instructions before installing. This device is intended for installation in accordance with the National Electric Code and local regulations. It is recommended that a qualified electrician performs this installation. Make sure to turn off the circuit breaker or fuse(s) and make sure power is off before wiring the device. Use copper wire only, or equivalent.

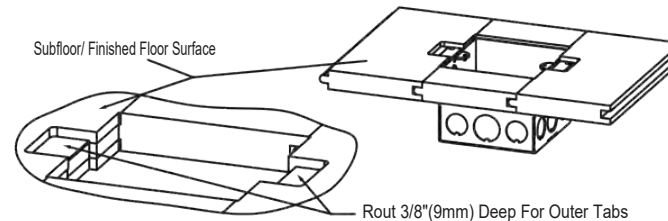
NOTES:  
10-12 AWG Stranded or Solid Copper wire is recommended.

### FLOOR BOX INSTALLATION

**Before Installation:**  
Ensure there is sufficient depth & space below the subfloor.

**Step 1**  
For carpeted floors:  
Cut out a section of carpet smaller than the size of the cover.

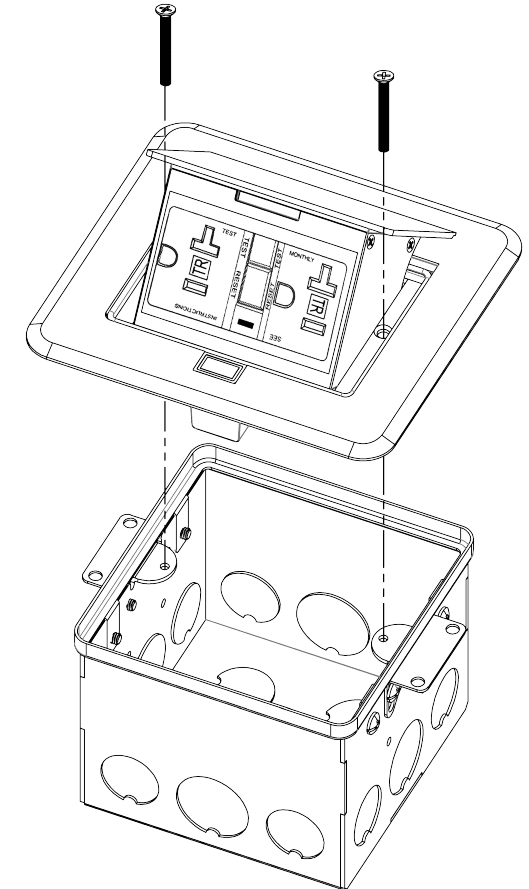
- For wood sub-floors and finished hardwood floors:
- Tape the template on the area you want to place the floor box.
  - Use a knife to cut the outline of the box. Start with the ears and move inwards.
  - Following the outline, cut the box shape without the ears completely through the sub-floor or hardwood floor.
  - Following the outline, cut 3/8" deep into the sub-floor or hardwood for the mounting ears.
    - Using a router is recommended



- Step 2**
- Remove knockouts and secure the box onto the floor. Pull the wires through the opening of the floor and the knockout and connect the wires based on the wiring diagram.
  - Use the proper connector/ clamp at the knockouts to secure the wires and to avoid accidental wire stripping.
  - Secure the box to the opening using wood screws.

### WIRING DIRECTIONS

1. Insert the HOT wire to the LINE terminal and tighten the screw .
2. Insert the NEUTRAL wire to the NEUTRAL terminal and tighten the screw.
3. Insert the GROUND wire to the GREEN terminal and tighten the screw.



### WARRANTY INFORMATION

This device is warranted to be free of material and workmanship defects for 2 years from the date of purchase. Original receipt or proof of purchase from an authorized retailer must be presented upon warranty claim. ALL claims must be verified and approved by Enerlites, Inc. Warranties from other Enerlites products may vary. This warranty is nontransferable and does not cover normal wear and tear or any malfunction, failure, or defect resulting from misuse, abuse, neglect, alteration, modification, or improper installation. To the fullest extent permitted by the applicable state law, Enerlites shall not be liable to the purchaser or end user customer of Enerlites products for direct, indirect, incidental, or consequential damages even if Enerlites has been advised of the possibility of such damages. Enerlites' total liability under this or any other warranty, express or implied, is limited to repair, replacement or refund. Repair, replacement or refund are the sole and exclusive remedies for breach of warranty or any other legal theory.