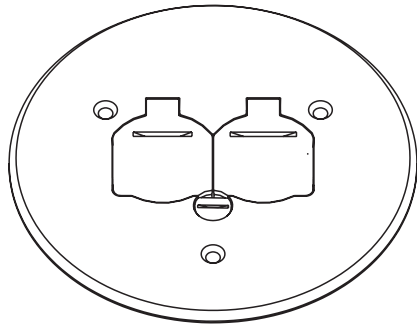


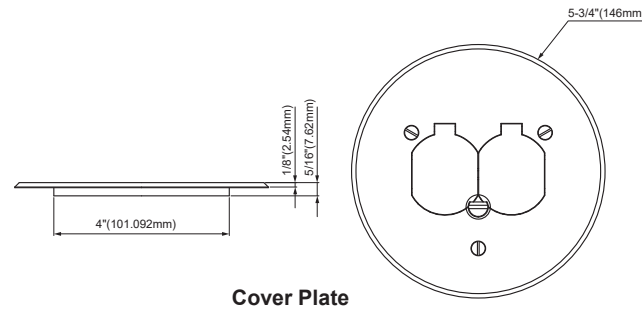
INSTALLATION INSTRUCTIONS

975517-C / 975517-S

5-3/4" Dia. Flush Round Flip Lid Cover Plate
with 20A Duplex Tamper & Weather Resistant Receptacle



DIMENSIONS

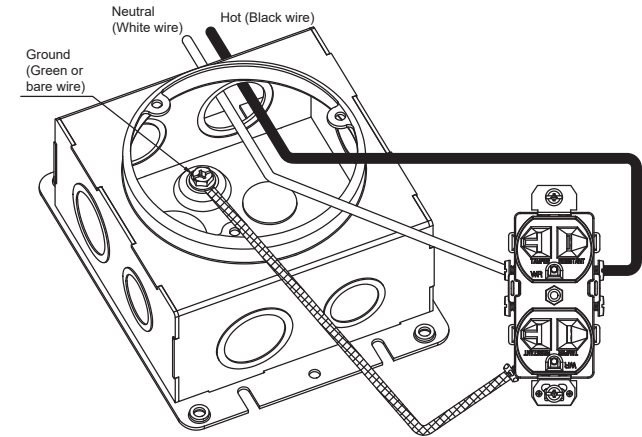


Cover Plate

WIRING DIRECTIONS

Insert wire(s) through terminal holes in the back, then tighten terminal screws.

- Connect HOT wire to the HOT terminal (brass screw).
- Connect NEUTRAL wire to the NEUTRAL terminal (silver screw).
- Connect GREEN or BARE wire to the GROUND terminal (green screw).



SPECIFICATIONS

Cover Material.....	Brass(C) or Nickel-Plated Brass(S)
Receptacle Rating.....	20A 125VAC
Box Material.....	Galvanized Steel
Knockout size.....	1/2" and 3/4"
Adjustable Height.....	up to 1" depth

DESCRIPTION/ FEATURES

Flush round flip lid cover plate with duplex tamper & weather resistant receptacle. Includes one 20 amp duplex tamper & weather resistant receptacle, gasket and cover.

- Compact and stylish design in Brass(C) or Nickel-Plated Brass(S). Height of metal box is adjustable for ease of installation.
- Corrosion resistant hardware ensures long life span and reliable performance. Easy access to power when you need it. Close and lock the cover when not in use.

WARNING

Turn the POWER OFF at the circuit breaker before installing the Floor Box

Read and understand these instructions before installing. This device is intended for installation in accordance with the National Electric Code and local regulations. It is recommended that a qualified electrician performs this installation. Make sure to turn off the circuit breaker or fuse(s) and make sure power is off before wiring the device. Use copper wire ONLY.

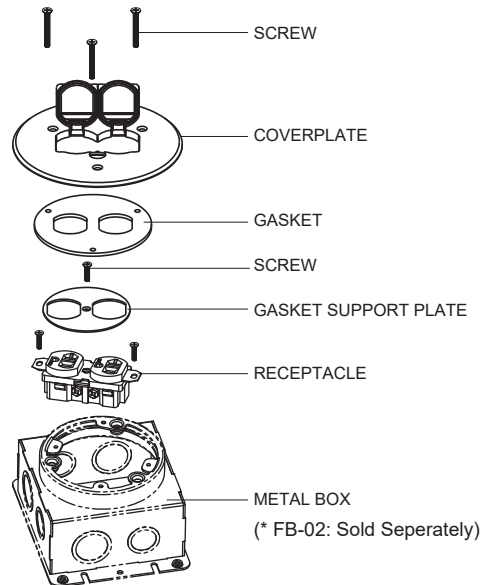
NOTES:
10-12 AWG Stranded or Solid Copper wire is recommended.

FLOOR BOX INSTALLATION

Before Installation:

Ensure there is sufficient depth & space below the sub-floor.

1. Trace outline of box on sub-floor.
2. Following the outline, cut the box shape without the ears completely through the sub-floor
3. Remove knockout(s) for cables and use cable clamps or grommets to secure wires to the metal box.
4. Secure the metal box to framing using wood screws.
5. Follow the wiring directions and connect the wires to appropriate terminals on the receptacle.
6. Secure receptacle to metal box and install cover using provided screws.



WARRANTY INFORMATION

This device is warranted to be free of material and workmanship defects for 2 years from the date of purchase. Original receipt or proof of purchase from an authorized retailer must be presented upon warranty claim. ALL claims must be verified and approved by Enerlites, Inc. Warranties from other Enerlites products may vary. This warranty is nontransferable and does not cover normal wear and tear or any malfunction, failure, or defect resulting from misuse, abuse, neglect, alteration, modification, or improper installation. To the fullest extent permitted by the applicable state law, Enerlites shall not be liable to the purchaser or end user customer of Enerlites products for direct, indirect, incidental, or consequential damages even if Enerlites has been advised of the possibility of such damages. Enerlites' total liability under this or any other warranty, express or implied, is limited to repair, replacement or refund. Repair, replacement or refund are the sole and exclusive remedies for breach of warranty or any other legal theory.