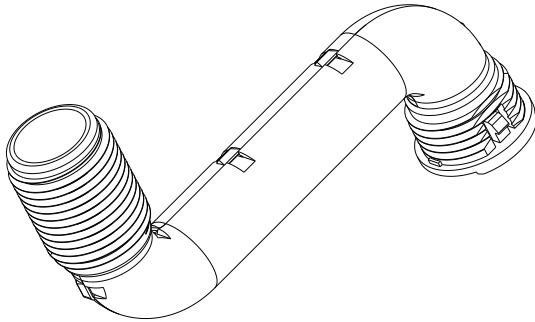


MPC-D

Off-Set Adapter for High Bay Sensor



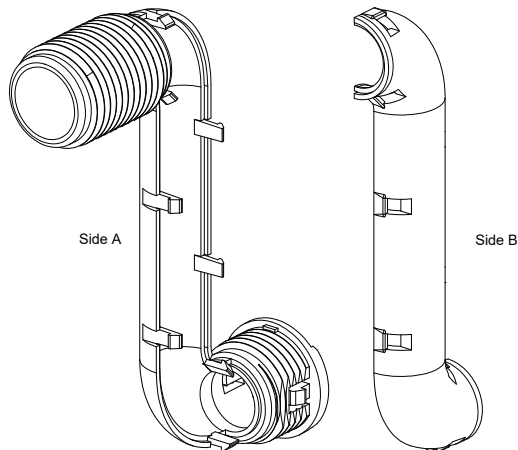
SPECIFICATIONS

Adapter Length.....	4"
Adapter Width.....	1/2"
Nipple Size.....	1/2"
Adapter Material.....	ABS thermoplastic
Compatible with.....	MPC-50H

DESCRIPTION

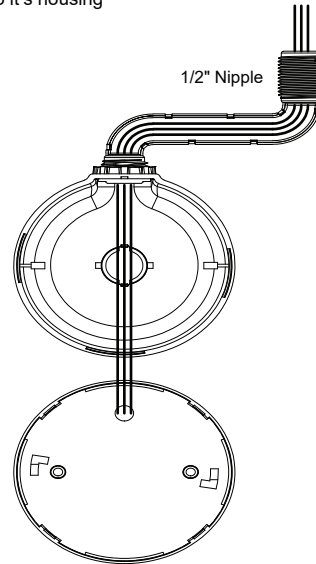
The MPC-D offset adapter provides an alternative way to install motion sensors. It allows for a direct installation of a high bay or ceiling motion sensor to the lighting fixture or to a junction box. The MPC-D is compatible with Enerlites's MPC-50H high bay ceiling sensors.

DO NOT snap together until you run wires through it

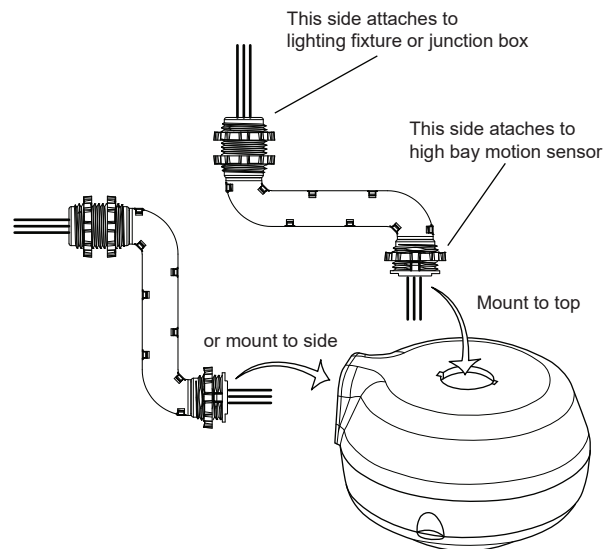


INSTALLATION

- Insert the offset adapter side A through the knockout on the sensor's housing then secure it with a lock nut provided.
- Pull the sensor's wires through the offset adapter and attach the sensor to it's housing

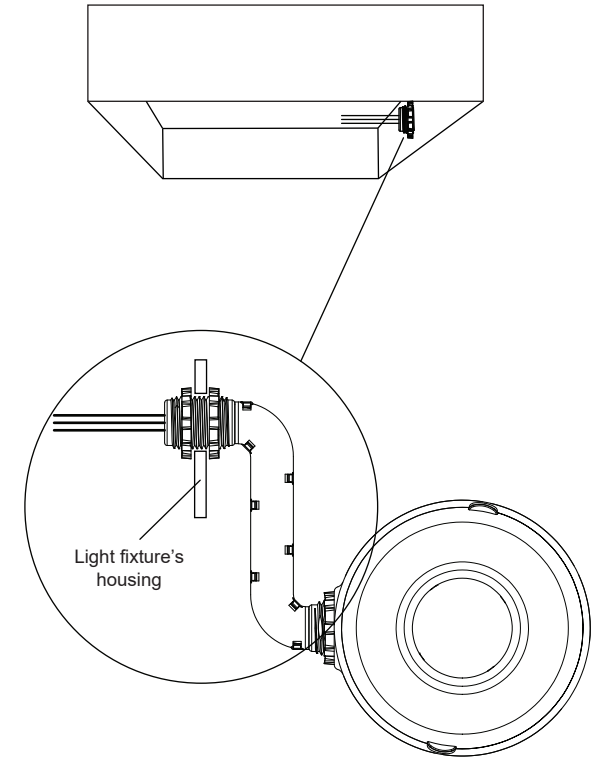


- Snap together side B to side A of the MPC-D
- The sensor is now ready for installation onto lighting fixture.



ATTACHING TO LIGHT FIXTURE

- Locate and remove the knockout on the light fixture, then attach the MPC-D to the fixture and secure it with the provided lock nuts.
- Connect the wires as instructed in the motion sensor's manual.



WARRANTY INFORMATION

This device is warranted to be free of material and workmanship defects for 2 years from the date of purchase. Original receipt or proof of purchase from an authorized retailer must be presented upon warranty claim. ALL claims must be verified and approved by Enerlites, Inc. Warranties from other Enerlites products may vary. This warranty is nontransferable and does not cover normal wear and tear or any malfunction, failure, or defect resulting from misuse, abuse, neglect, alteration, modification, or improper installation. To the fullest extent permitted by the applicable state law, Enerlites shall not be liable to the purchaser or end user customer of Enerlites products for direct, indirect, incidental, or consequential damages even if Enerlites has been advised of the possibility of such damages. Enerlites' total liability under this or any other warranty, express or implied, is limited to repair, replacement or refund. Repair, replacement or refund are the sole and exclusive remedies for breach of warranty or any other legal theory.