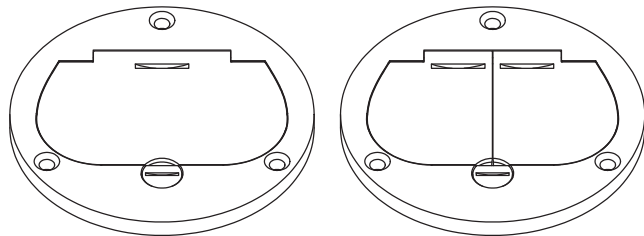


# INSTALLATION INSTRUCTIONS

## 975502-C & 975502-S/ 975503-C & 975503-S

### 4" Dia. Round Flip Lid Cover Plate with 20A Duplex Tamper & Weather Resistant Receptacle



975502

975503

## SPECIFICATIONS

Cover Material.....	Brass(C) or Nickel-Plated Brass(S)
Receptacle:	
Voltage .....	125VAC, 60Hz
Load Rating .....	20 Amp
Receptacle Material .....	PC

## DESCRIPTION/ FEATURES

- Corrosion resistant hardware ensure long life span and reliable performance.
- Easy access to power when you need it.

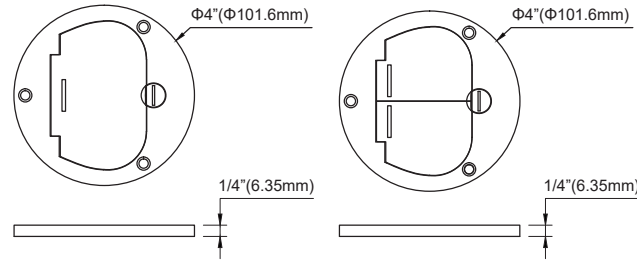
## WARNING

### Turn the POWER OFF at the circuit breaker before installing the Floor Box.

Read and understand these instructions before installing. This device is intended for installation in accordance with the National Electric Code and local regulations. It is recommended that a qualified electrician performs this installation. Make sure to turn off the circuit breaker or fuse(s) and make sure power is off before wiring the device. **Use copper wire only.**

NOTES:  
10-12 AWG Stranded or Solid Copper wire is recommended.

## DIMENSIONS



## FLOOR BOX INSTALLATION

**Before Installation:**  
Ensure there is sufficient depth & space below the subfloor.

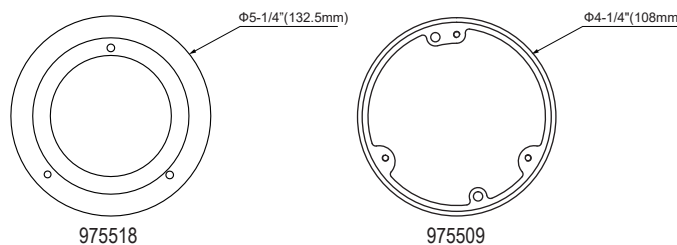
### Step 1

Remove knockouts and secure the box onto the floor.  
Pull the wire through the opening of the floors and knockouts and connect wires based on the wiring diagram.

### CAUTION:

- Connect wires only when no power is supplied.
- Attach the cover to the box using #8-32 mounting screws and tighten firmly.

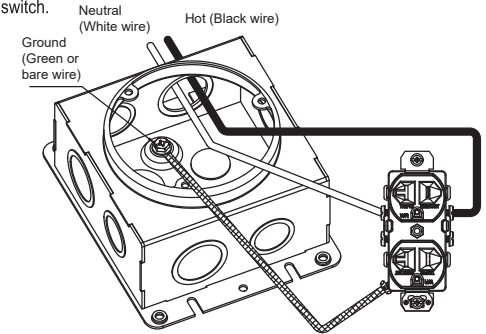
FLANGE: Could be bought separately to match 975502 / 975503



- 975518: Use with 4" flush round cover for carpet applications.
- 975509: Use with 4" flush round cover when there is no 975518.

## WIRING DIRECTIONS

1. Connect the HOT wire to the BLACK wire.
2. Connect the NEUTRAL wire to the WHITE wire.
3. Connect the GROUND wire to the GREEN wire on the switch.



## WARRANTY INFORMATION

This device is warranted to be free of material and workmanship defects for 2 years from the date of purchase. Original receipt or proof of purchase from an authorized retailer must be presented upon warranty claim. ALL claims must be verified and approved by Enerlites, Inc. Warranties from other Enerlites products may vary. This warranty is nontransferable and does not cover normal wear and tear or any malfunction, failure, or defect resulting from misuse, abuse, neglect, alteration, modification, or improper installation. To the fullest extent permitted by the applicable state law, Enerlites shall not be liable to the purchaser or end user customer of Enerlites products for direct, indirect, incidental, or consequential damages even if Enerlites has been advised of the possibility of such damages. Enerlites' total liability under this or any other warranty, express or implied, is limited to repair, replacement or refund. Repair, replacement or refund are the sole and exclusive remedies for breach of warranty or any other legal theory.

